



CDF 10



CDF 10 in white



CDF 10 with water container

CDF 10 DEHUMIDIFIER

Function

The CDF 10 works in accordance with the condensation principle. A fan draws the humid air into the dehumidifier and through an evaporator coil. When passing through the evaporator the air is cooled down to below its dew point temperature and its content of water vapour is condensed into water, which falls into the drip tray and then is led from the drip tray to a drain. The cold, dry air is then passed over the condenser coil where it is re-heated, before leaving the unit at a temperature, which is approx. 5°C higher than at the inlet.

Applications

- Archives
- Churches
- Museums
- Water works

FEATURES

- The CDF 10 is built into a powder-coated hot-galvanized sheet metal cabinet
- Evaporator and condenser coils are epoxy-coated for higher corrosion resistance
- All external parts of the cabinet are powder-coated
- The CDF 10 is fixed to the wall by means of a wall mounting strip supplied with the unit
- The condensate outlet is located at the bottom of the CDF 10. The outlet stub can be connected to a 1/2" water hose.
- Air intake through a filter that is placed behind the front panel.
- The dehumidified air is blown out through the sides of the CDF 10.
- Reciprocating compressor
- Axial fan
- The CDF 10 can be used with a water container, capacity 5,5 l (accessory)

Electronic control

The CDF 10 has a built-in hygrostat and is fully automatic with electronic control. The hygrostat is placed behind the front panel and the required relative humidity level can be adjusted by moving the set screw. On delivery the CDF 10 is set at approx. 60% RH.

The CDF 10 is switched on and off by the switch on the side of the unit. A green LED on the front panel lights when the compressor is operating.

If the CDF 10 is used with a water container, it switches off automatically when the water tank is full. A red LED on the front panel lights when the water container needs to be emptied.

Defrosting

Active, demand-controlled defrosting is incorporated in the electronic control. A sensor on the evaporator coil ensures that the evaporator is only defrosted when required. The evaporator coil is defrosted by means of hot refrigerant bypassing the condenser and being fed through the evaporator.

The CDF 10 is automatically switched off when the temperature is lower than 3°C. It restarts when the room temperature has increased to more than 3°C.

TECHNICAL DATA

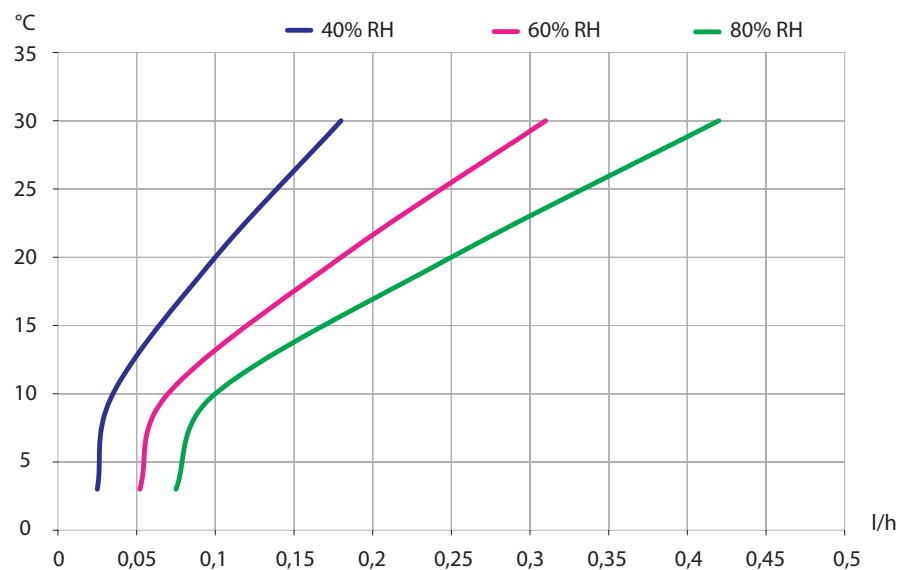
Model

Operating range – humidity
 Operating range – temperature
 Air volume
 Power supply
 Max. ampere consumption
 Max. power consumption
 Refrigerant
 Quantity of refrigerant
 Sound level (at 1 metre)
 Weight
 Colour
 Protection class

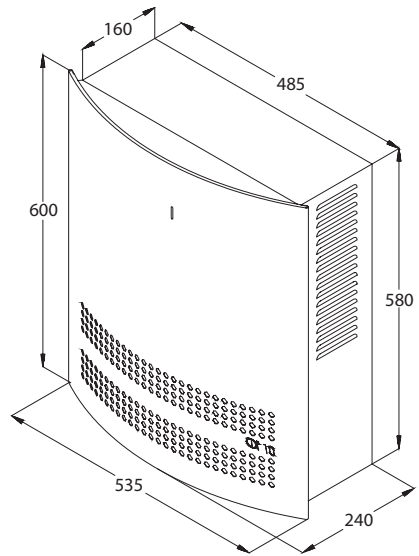
CDF 10

40 – 100 %RH
 3 – 30 °C
 220 m³/h
 1x230/50 V/Hz
 2,1 A
 0,3 kW
 R134a
 0,190 kg
 46 dB(A)
 28 kg
 RAL 7024 / 9006
 IPX2

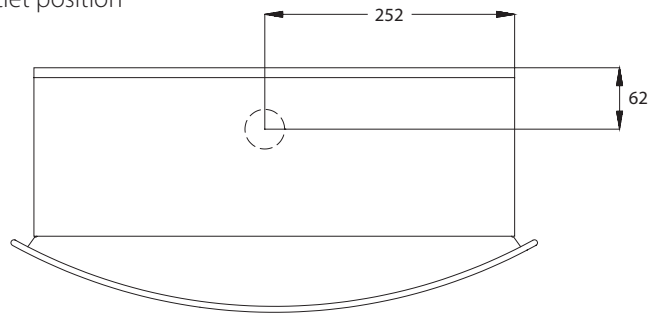
CAPACITY CURVES



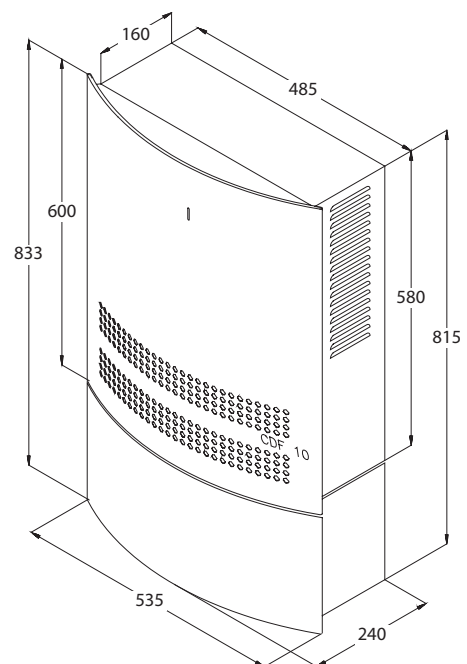
DIMENSIONS



Drain outlet position



CDF 10 with water container



Accessories

Water container
(see separate data sheet)

All dimensions are in mm.